

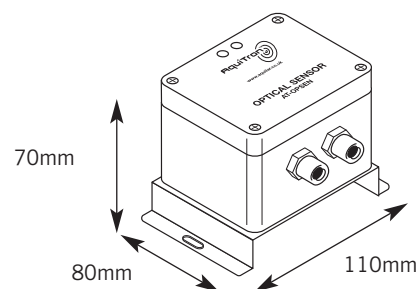
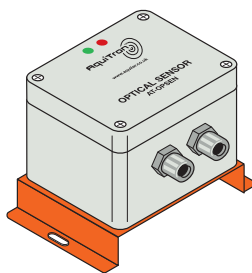
The AT-OPSEN Optical liquid detection sensor has been designed for instant detection of fuel oils and any other non aggressive liquids. The optical sensor can be used with any of the TraceTek and AquiTron™ leak detection panels and is fully compatible with all TT1000, TT3000, TT5000 and TT7000 system components.

The use of the optical sensor allows the monitoring for leaks in areas where sensing cables would be difficult to install, either because of the harsh operating environment in which detection is required, or the practicality of installing lengths of sensor cable in vulnerable areas. The unit operates on an optical prism which is resistant to all fuel oils and many other liquids. It's IP67 enclosure makes the unit liquid tight, easily cleaned and reusable.

The probe has been designed for seamless integration into TraceTek detection systems, either with or without sensor cable, to provide a truly versatile sensor system.

For distributed applications, up to 100 probes may be interconnected by a single jumper cable (daisy chain) and monitored for leak location utilising either TTDM-PLUS or TTSIM-1/1A alarm and locating modules, providing leak location in either metres, feet or zones. (see panel data sheets for maximum probe quantities).

Red and green LED's are provided to indicate power healthy (green) or leak detected (red).




## Technical Information

Dimensions	80 L x 110 W x 70 H mm
Base/guard plate	Epoxy coated vibrant orange steel
Probe	Optical sensor technology
Probe Depth	Adjustable (2.5 mm span)
Housing	Grey polycarbonate
Connections	Plug & socket type terminal strips
Power	12Vdc, at 70mA
Cabling	6 core screened, 22 AWG, max 100 mtrs

## Approvals

Electromagnetic compatibility

	Compliant with standards for immunity	EN50082-1 (light industrial)
	Compliant with standards for emissions	EN50081-1 (residential/commercial)
		EN55022 and FCC Part 15, Class B

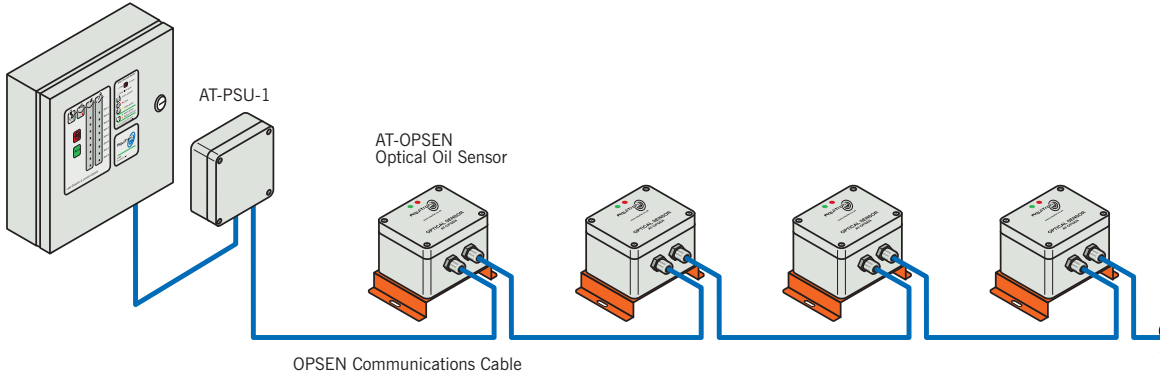
## Ordering Information

Catalogue Numbers:	3480 - AT-OPSEN
	3680 - AT-PSU-1 (maximum 10 optical sensors)
	3690 - AT-OPSEN-CBL (50 metre reel)

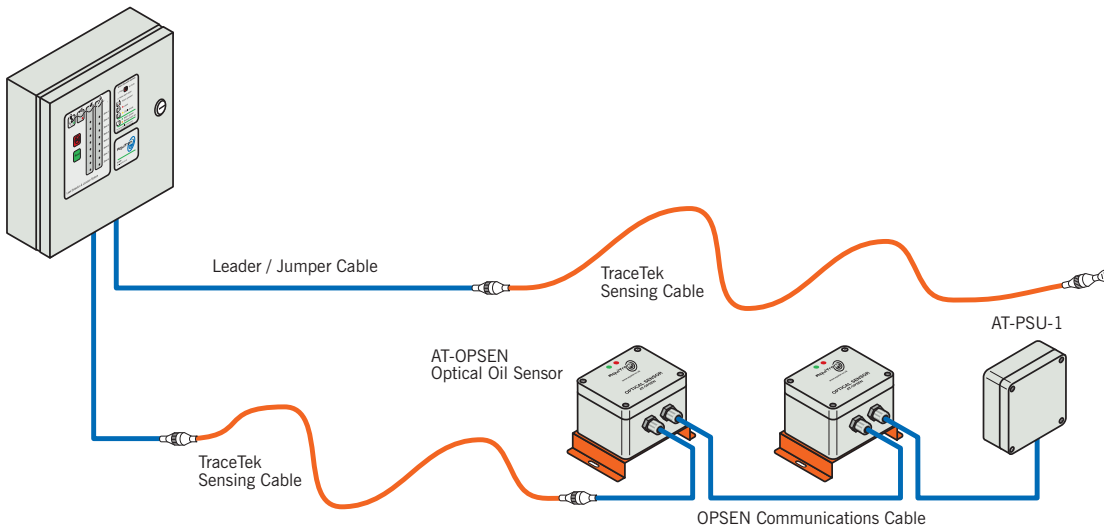
## Installation Information

Floor or Tray Mount: The Sensor unit has been designed to be stable without fixings although screw slots are provided. Alternatively, the unit can be secured with a construction adhesive. The high visibility orange colour base and power/leak LED's provide ease of location in low light, or locations where equipment and wiring are densely packed.

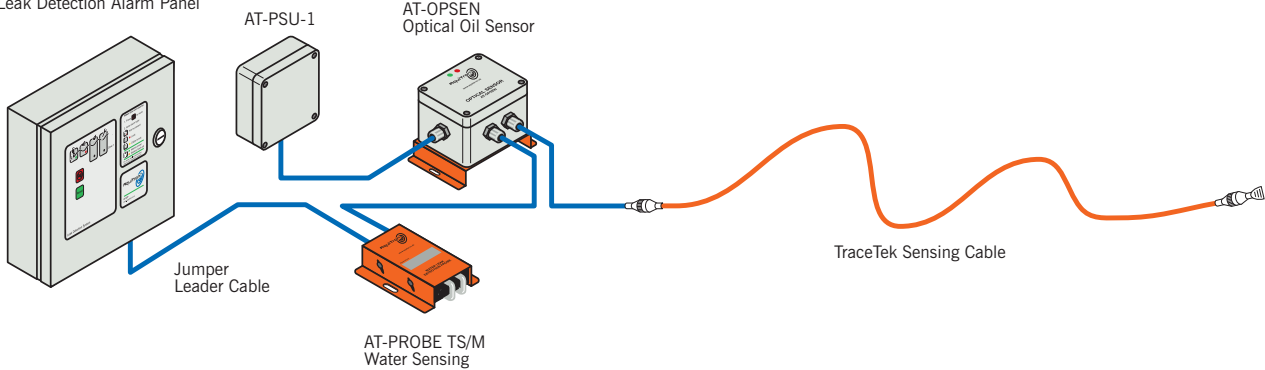
TraceTek or AquiTron™  
Leak Detection Panel



TraceTek or AquiTron™  
Leak Detection Panel



TraceTek or AquiTron™  
Leak Detection Alarm Panel



**Important:** All information, including illustrations, is believed to be reliable. Users, however, should independently evaluate the suitability of each product for their application. Aquilar Limited makes no warranty as to the accuracy or completeness of the information, and disclaims any liability regarding its use. The only obligations of Aquilar Limited are those in the Aquilar Standard Terms and Conditions of Sale for this product, and in no case will Aquilar Limited be liable for any incidental, indirect, or consequential damages arising from the sale, resale, use or misuse of the product. Specifications are subject to change without notice. In addition, Aquilar Limited reserves the right to make changes - without notification to Buyer - to processing or materials that do not affect compliance with any applicable specification.

AquiTron is a trademark of AquiTron Limited  
 Aquilar is a trademark of Aquilar Limited  
 TraceTek is a trademark of Tyco Thermal Controls

**Aquilar Limited**  
 Weights & Measures House, 20 Barttelot Road,  
 Horsham, West Sussex RH12 1DQ. UK  
 Tel: + 44 (0) 1403 216 100  
 Fax: +44 (0) 8707 940 320

E-mail: [info@aquilar.co.uk](mailto:info@aquilar.co.uk)  
[www.aquilar.co.uk](http://www.aquilar.co.uk)

Master TraceTek Distributor UK & Ireland for  
**Raychem® TraceTek®**  
 Water, Fuel and Chemical Leak Detection

